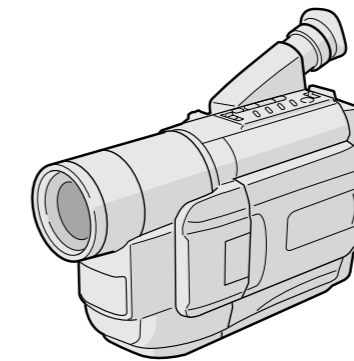


JVC

SERVICE MANUAL

COMPACT VHS CAMCORDER

GR-SXM47EG/EK



S VHS VHS
PAL
625
Super VHS
Super VHS ET

Regarding service information other than these sections, refer to the GR-SXM607EG service manual (No. 86589). Also, be sure to note important safety precautions provided in the service manual.

SPECIFICATIONS *(The specifications shown pertain specifically to the model GR-SXM47EG)*

Camcorder		AC Adapter AP-V10EG	
General		Power requirement	: AC 110 V to 240 V~, 50 Hz/60 Hz
Format	: S-VHS/VHS PAL standard	Power consumption	: 23 W
Power source	: DC 11 V --- (Using AC Adapter) DC 6 V --- (Using battery pack)	Output	: DC 11 V --- , 1 A
Power consumption		Dimensions	: 59 mm x 31 mm x 84 mm (W x H x D)
LCD monitor off, viewfinder on	: 4.0 W	Weight	: Approx. 140 g
LCD monitor on, viewfinder off	: 4.5 W	Optional Accessories	
Video light	: 3.0 W	<ul style="list-style-type: none">• Battery Packs BN-V12U, BN-V20U, BN-V400U• Compact S-VHS (S VHS) Cassettes SE-C45/30• Compact VHS (VHS) Cassettes EC-60/45/30• Remote Control Unit RM-V700U• Active Carrying Bag CB-V7U• Cassette Adapter C-P7U	
Signal system	: PAL-type	<div style="border: 1px solid black; padding: 5px;">Some accessories are not available in some areas. Please consult your nearest JVC dealer for details on accessories and their availability.</div>	
Video recording system			
Luminance	: FM recording	<i>Specifications shown are for SP mode unless otherwise indicated. E & O.E. Design and specifications subject to change without notice.</i>	
Colour	: Converted sub-carrier direct recording Conforms to VHS standard	Storage temperature	: -20°C to 50°C
Cassette	: S VHS / VHS cassette	Weight	: Approx. 900 g
Tape speed		Dimensions	: 200 mm x 112 mm x 118 mm (with the LCD monitor closed and with the viewfinder full tilted downward)
SP	: 23.39 mm/sec.	Pickup	: 1/4" format CCD
LP	: 11.70 mm/sec.	Lens	: F1.6, f = 3.9 mm to 62.4 mm, 16:1 power zoom lens with auto iris and macro control, filter diameter 40.5 mm
Recording time (max.)		Viewfinder	: Electronic viewfinder with 0.5" black/white CRT
SP	: 60 minutes	White balance adjustment	: Auto/Manual adjustment
LP	: 120 minutes (with EC-60 cassette)	LCD monitor	: 2.5" diagonally measured, LCD panel/TFT active matrix system
Operating temperature	: 0°C to 40°C	Speaker	: Monaural
Operating humidity	: 35% to 80%	Connectors	
		JLIP/EDIT	: ϕ 3.5 mm, 4-pole, mini-head jack (compatible with RC-5325 plug)
		Video	: 1 V (p-p), 75 Ω unbalanced, analogue output (via Video output connector)
		Audio	: 300 mV (rms), 1 k Ω analogue output (via Audio output connector)
		S-Video	: Y : 1 V (p-p), 75 Ω , analogue output C : 0.29 V (p-p), 75 Ω , analogue output

JVC

VICTOR COMPANY OF JAPAN, LIMITED
VIDEO DIVISION

S40894

TABLE OF CONTENTS

DIFFERENT TABLE	1 to 3
5. PARTS LIST	
5.1 PACKING AND ACCESSORY ASSEMBLY <M1>	5-1

The following table indicate main different points between models GR-SXM607EG, GR-SXM47EG and GR-SXM47EK.

ITEM \ MODEL	GR-SXM607EG	GR-SXM47EG/EK
LCD MONITOR	3"	2.5"
NIGHT SCOPE	Used	Not used
SNAP SHOT	Used	Not used
REMOTE CONTROL UNIT	Provided	Optional

The following table indicate different parts number between models GR-SXM607EG, GR-SXM47EG and GR-SXM47EK.

PACKING AND ACCESSORY ASSEMBLY <M1> Note: As for IB (INSTRUCTIONS), refer to sec.5.

REF. NO.	ITEM \ MODEL	GR-SXM607EG	GR-SXM47EG	GR-SXM47EK
4	POLY BAG	QPA02003506	←	YQM30061-3
7	WARRANTY/GUARANTY CARD	BT-54013-1	←	BT-54008-2
△ 9	POWER CORD	QMPL120-190-JR	←	QMPP110-190-JR
13	Q.CARD(JUK)	-	-	LYT0194-001A
16	REMOTE CONTROL UNIT	LY42129-001A	-	-
17	AAA(R03)BATTERY, X2	Used	Not used	Not used

FINAL ASSEMBLY <M2>

REF. NO.	ITEM \ MODEL	GR-SXM607EG	GR-SXM47EG/EK
101	LOWER CASE ASSY	LY20684-008A	LY20684-007A
101F	SCREW	* QYSLSF2060D	QYSLSF2050Z
104	FRONT COVER ASSY	LY20683-014A	LY20683-001B
104K	STICKER(C)	LY32060-002A	LY32060-001A
106	UPPER CASE(M)	LY10257-001A	LY10257-002A
109	TOP OPE UNIT	LY20614-002B	LY20614-001B
111	REAR UNIT	LY20615-001A	LY20615-004A
114	STICKER(D)	LY32061-001A	LY32061-003A
121	SCREW, X3	* QYSLSF2060D	QYSLSF2050Z

Note: Mark - is not used. Mark ← is same as left. Mark * reference model was also changed.

OPTICAL BLOCK SECTION

REF. NO.	MODEL		GR-SXM607EG	GR-SXM47EG/EK
	ITEM			
254	OP LPF		LY41370-001A	LY41757-001A
255	CCD SPACER		LY20086-001A	LY20346-001A
257	CCD BASE ASSY		LYH40018-004A	LYH40018-003A

MONITOR ASSEMBLY <M5>

REF. NO.	MODEL		GR-SXM607EG	GR-SXM47EG/EK
	ITEM			
△ 500	MONITOR ASSY		LYH20217-001A	LYH20217-002A
△ 501	M. COVER ASSY		LY20679-001A	LY20679-002A
501B	WINDOW		LY32022-004A	LY32022-002A
502	M.CASE (3/2.5) ASSY		LY32035-001A	LY32036-001A
515	HOLDER (3/2.5)		LY20647-001A	LY20672-001B
519	BACK LIGHT		QLL0094-001	QLL0093-001
520	LCD MODULE		QLD0118-001	QLD0176-001

MAIN BOARD ASSEMBLY <01>

REF. NO.	MODEL		GR-SXM607EG	GR-SXM47EG	GR-SXM47EK
	ITEM				
PW	MAIN BOARD ASSY		YB10310EB-01	YB10310EC-01	YB10310EU-01
IC101	IC(MICRO C ROM)		UPD703039-027	UPD703039-026	←
IC1801	IR DETECT UNIT		PIC-26043S	-	-
IC4002	IC		TMS4C2973-28-X	-	-
IC4702	IC		NJM2534V	←	-
IC7007	IC(DIGITAL)		-	TC7S04FU	←
Q4201, Q4702	TRANSISTOR		-	-	or 2SC4738/YG/-X
Q4708 to Q4710	TRANSISTOR		2SC4617/QR/-X	←	-
Q4716	TRANSISTOR		DTC144EE	←	-
Q4717	TRANSISTOR		DTA144EE	←	-
Q7022	TRANSISTOR		-	DTC144EE	←
R4704	CMF RESISTOR		* NRVA63D-271X	NRVA63D-272X	←
R4705	CMF RESISTOR		* NRVA63D-471X	NRVA63D-472X	←
R4712	CMF RESISTOR		* NRVA63D-561X	NAVA63D-511X	←
R4715	MG RESISTOR		-	-	NRSA63J-0R0X
R4716	CMF RESISTOR		* NRVA63D-561X	NRVA63D-621X	←
R4724	MG RESISTOR		NASA63J-391X	←	-
R4725	MG RESISTOR		NASA63J-822X	←	-
R4726	MG RESISTOR		NASA63J-121X	←	-
R4727	MG RESISTOR		NASA63J-102X	←	-

Note: Mark - is not used. Mark ← is same as left. Mark * reference model was also changed.

REF. NO.	ITEM	MODEL	GR-SXM607EG	GR-SXM47EG	GR-SXM47EK
R4728	MG RESISTOR		NASA63J-471X	←	-
R4729	MG RESISTOR		NASA63J-153X	←	-
R4730	MG RESISTOR		NASA63J-103X	←	-
R4731	MG RESISTOR		NASA63J-102X	←	-
R4732	MG RESISTOR		NASA63J-222X	←	-
R4733,R4734	MG RESISTOR		NASA63J-102X	←	-
R6616	MG RESISTOR		* NRSA63J-392X	NRSA63J-102X	←
R7021, R7029	MG RESISTOR		NRSA63J-0R0X	-	-
R7044	CMF RESISTOR		NRVA63D-432X	NRVA63D-752X	←
R7046	MG RESISTOR		-	NRSA63J-103X	←
R7049 to R7051	MG RESISTOR		* NRSA63J-470X	NRSA63J-680X	←
R7067	MG RESISTOR		NRSA63J-682X	NRSA63J-223X	←
R7072	MG RESISTOR		NRSA02J-122X	NRSA02J-182X	←
R7073	MG RESISTOR		NRSA02J-821X	NRSA02J-331X	←
R7142	MG RESISTOR		NRSA63J-0R0X	-	-
R7143	MG RESISTOR		-	NRSA63J-0R0X	←
C4040	CAPACITOR		NCB21CK-105X	-	-
C4712	CAPACITOR		NCB31EK-103X	←	-
C4713	CAPACITOR		NCB21CK-105X	←	-
C4714, C4717	CAPACITOR		NCB31EK-103X	←	-
C4718	CAPACITOR		NDC31HJ-240X	←	-
C6305	CAPACITOR		* NDC31HJ-221X	NCB31HK-561X	←
C7019	CAPACITOR		* NDC31HJ-270X	NDC31HJ-121X	←
C7020	CAPACITOR		* NDC31HJ-270X	NDC31HJ-151X	←
C7029	CAPACITOR		-	NCB31CK-104X	←
C7057	CAPACITOR		-	NCB31EK-682X	←
L4702	COIL		NQL085J-560X	←	-
FL4701	LC TRAP		NQR0005-001X	←	-
FL4702	BAND PASS FILTER		NQR0268-001X	←	-

MONITOR BOARD ASSEMBLY <07>

REF. NO.	ITEM	MODEL	GR-SXM607EG	GR-SXM47EG/EK
PW	MONITOR BOARD ASSY		YB20900A-01	YB20900B-01
R7511, R7512	MG RESISTOR		NRSA63J-223X	-
R7513	MG RESISTOR		-	NRSA63J-103X
R7514	MG RESISTOR		NRSA63J-333X	-
R7515	MG RESISTOR		NRSA63J-562X	NRSA63J-302X
C7510	CAPACITOR		NCB31EK-103X	-

Note: Mark - is not used. Mark ← is same as left. Mark * reference model was also changed.